



SPECIFICATION SHEET 15 FT

4.5 M (15 x 11 x 10 FT) Accommodation Module

A60 Offshore Accommodation Modules offering Safe and Comfortable living for 2 persons, designed for NUI's and as windfarm refugee shelters.



Specifications:

- Certified to DNV 2.7-1 / DNV 2.7-2 / EN 12079
- Lloyd's Certification Scheme (Zone II optional)
- Airlock System – overpressurized cabin
- Combined Desk-/ Bunk Bed
- Lockers including shelving, open top
- En Suite Shower room
- HVAC -15° / +35° C
- Fire & Gas unit (standard PLC in CPGF)
- High quality fixtures
- Plug and Play Hook Up
- Stacking 5 high fixed by twist lock
- Manufactured in house to ISO 9001
- Modules available for hire or sale

Dimensions

HOA 4.57m x WOA 3.35m x HOA 3.04m

Weight

Approx. 3.800 Kg

Certification

IMO-/SOLAS A60, DNV 2.7-1 / DNV 2.7-2 / EN 120709

Titan Offshore Modules NL

Tel: +31 (0) 20 820 23 38

Tel: +31 (0) 62 246 25 49

Tel: +31 (0) 65 171 77 36

info@titanmodules.com

www.titanmodules.com

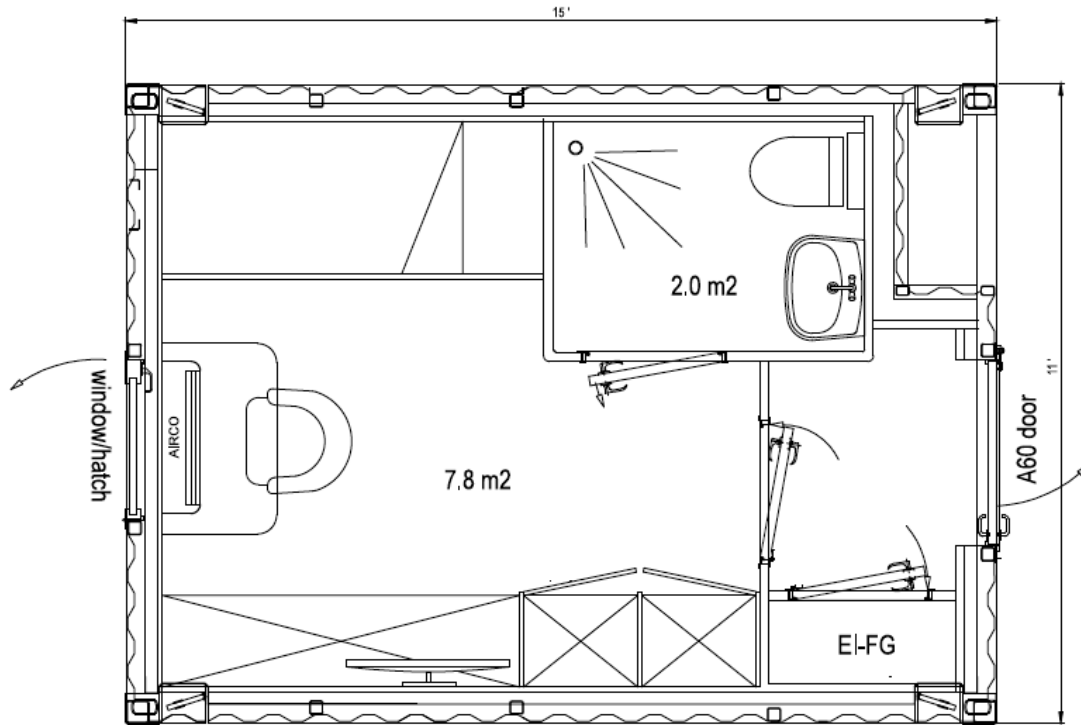


Lloyd's
Register

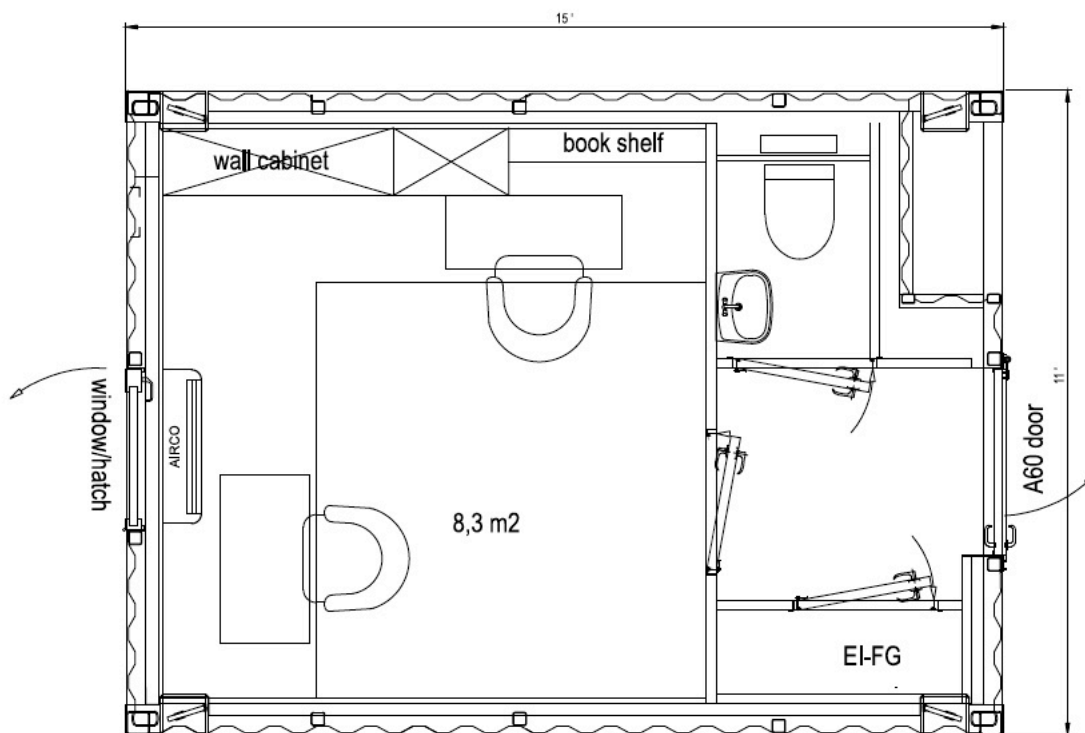


SPECIFICATION SHEET

Indicative Floorplan 15 FT



1 or 2 Men Sleeper



Office

